



# TOYOTA

## Service Bulletin

Section : Chassis /  
Power Train

Ref. No. : CP-5007

Date : Mar.,2005

Page : 1 of 9

Area Application : Europe

Model Name : TOYOTA RAV4

Model Code : CLA20, CLA21

### **Subject : Vehicle Take-off Assist Device for RAV4 with 1CD-FTV Engine**

This is the revised version of the SB issued on September 2003 (Ref. No. CP-3013).

This is to inform you of the installation procedure of the vehicle take-off assist device on the RAV4 with 1CD-FTV engines. This can be installed in order to smoothen the take off performance.

HINT:

Please clearly instruct the driver that this system only works up to an engine RPM of 1300 rpm. So if the driver races the engine to a higher revolution speed, take-off performance will drop and the clutch will suffer unnecessary.

#### **Part No. Information :**

Part Name	New Part Name	Qty
Engine ECU	89661-42A10	1

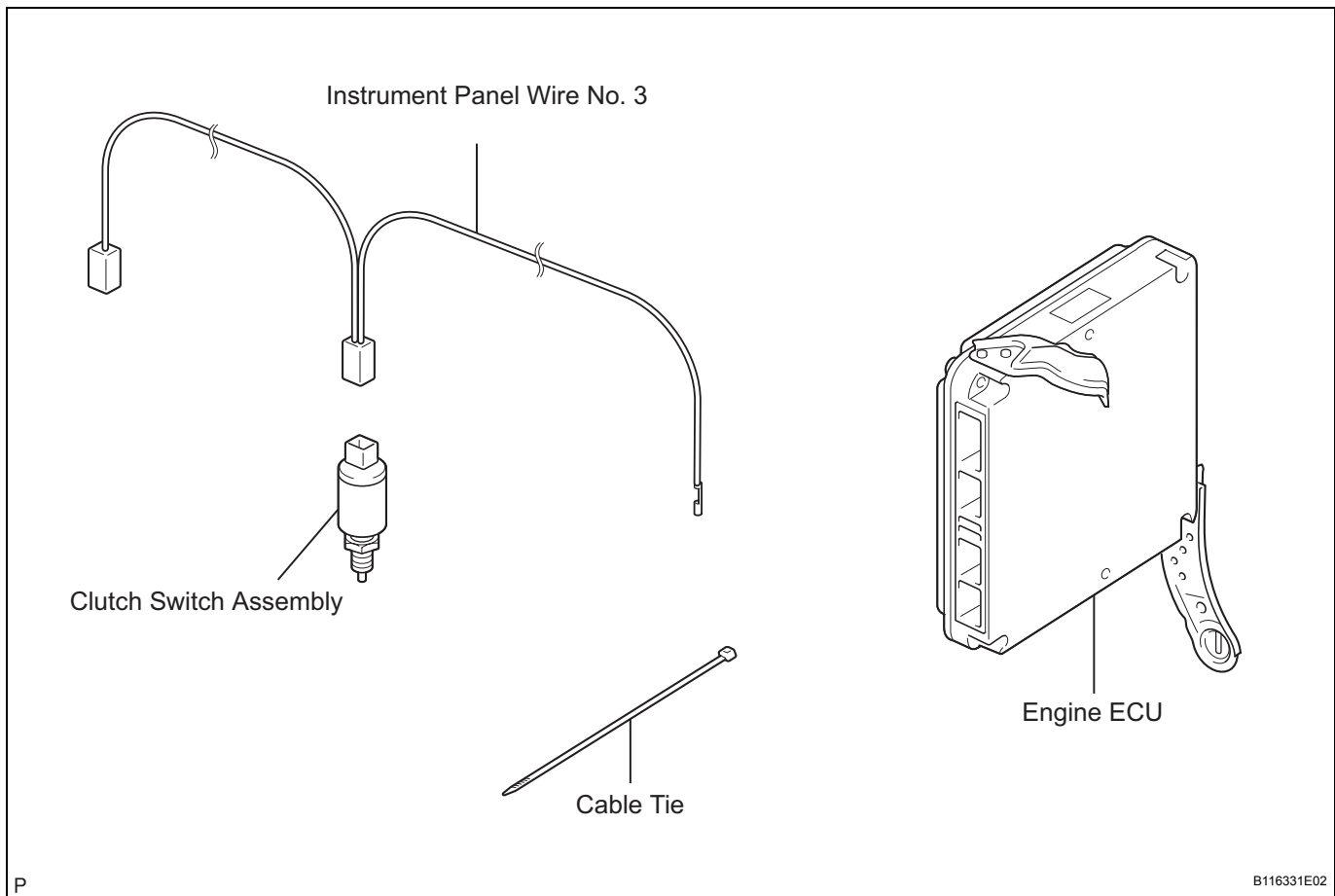
#### **Production Effective :**

VIN	Production Date
CLA20 - 0017821 CLA21 - 0048860 CLA21 - 6039467	July 31, 2003

## CHASSIS/POWER TRAIN VEHICLE TAKE-OFF ASSIST DEVICE

### NECESSARY PARTS

Part Name	Part No	Q'ty
Engine ECU	89661-42A10	1
Clutch Switch Assy	88280-42010	1
Nut	94130-61000	1
Instrument Panel Wire No.3	82143-42010	1
Cable Tire	-	-



### INSTALL VEHICLE TAKE-OFF ASSIST DEVICE

#### 1. DISCONNECT NEGATIVE TERMINAL OF THE BATTERY

HINT:

If the negative terminal is disconnected from the battery, the preset AM and FM stations stored in memory will be erased. Be sure to make a note of them before disconnecting the battery.

#### 2. REMOVE DOOR SCUFF PLATE LH & RH

#### 3. REMOVE COWL SIDE TRIM LH & RH

#### 4. REMOVE NO. 1 SWITCH HOLE BASE

## 5. REMOVE LOWER INSTRUMENT PANEL

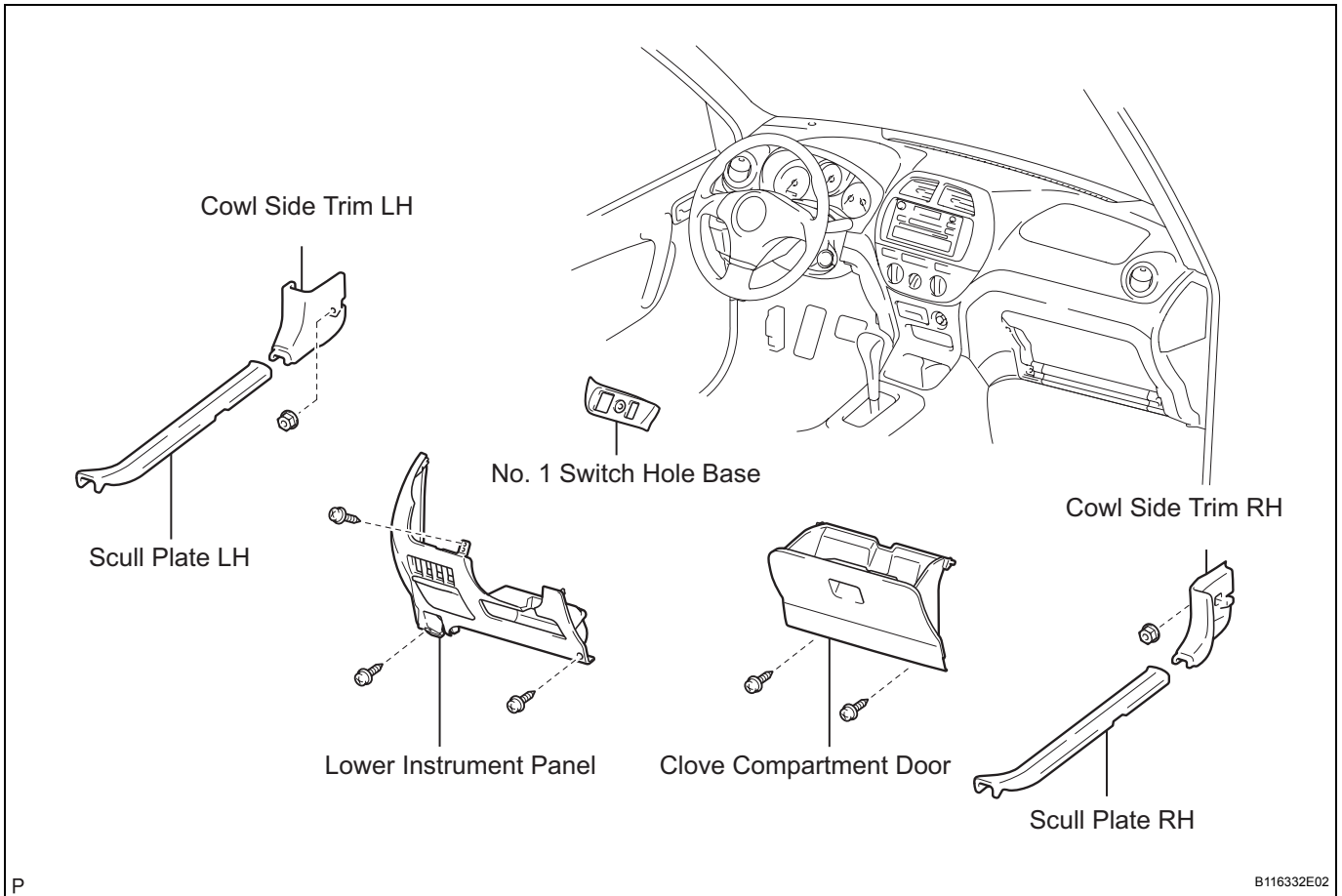
- (a) Remove the 3 screws and disconnect the connector.
- (b) Remove the engine hood opener lever.
- (c) Using a screwdriver, remove the lower instrument panel.

HINT:

Tape the screwdriver tip before use.

## 6. REMOVE GLOVE COMPARTMENT DOOR

- (a) Remove the 2 screws and glove compartment door.

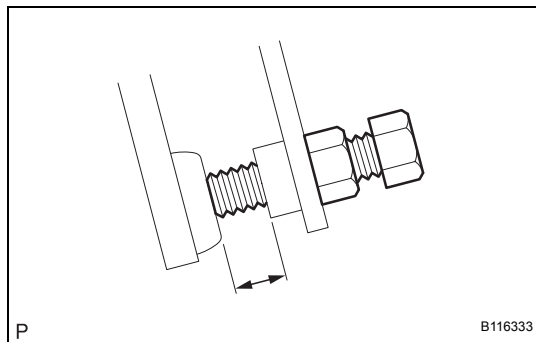


P

B116332E02

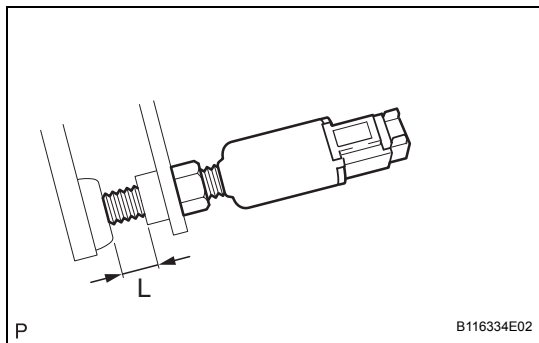
## 7. REMOVE CLUTCH PEDAL STOPPER BOLT

- (a) Measure the clutch pedal stopper bolt length L shown in the illustration.
- (b) Remove the stopper bolt.



P

B116333



## 8. INSTALL CLUTCH SWITCH ASSEMBLY

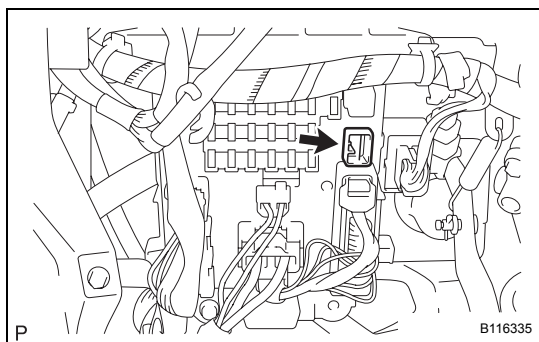
- (a) Install the clutch switch.

### Torque:

**15.7N\*m (160kgf\*cm, 11.6ft.\*lbf)**

### HINT:

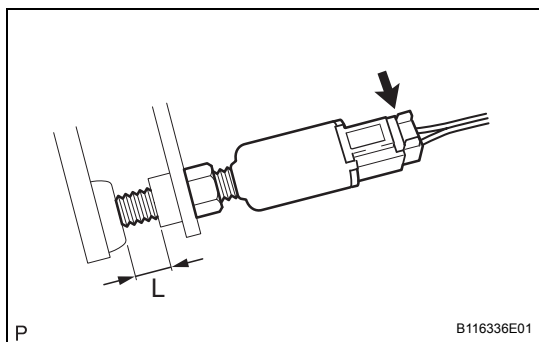
The clearance "L" must be the same as the value measured in step 7 above (measured value).



## 9. INSTALL INSTRUMENT PANEL NO. 3 WIRE

- (a) Connect 6P connector of the instrument panel No. 3 wire to the driver side junction block.

- (b) Connect 2P connector of the instrument panel No. 3 wire to the clutch switch.

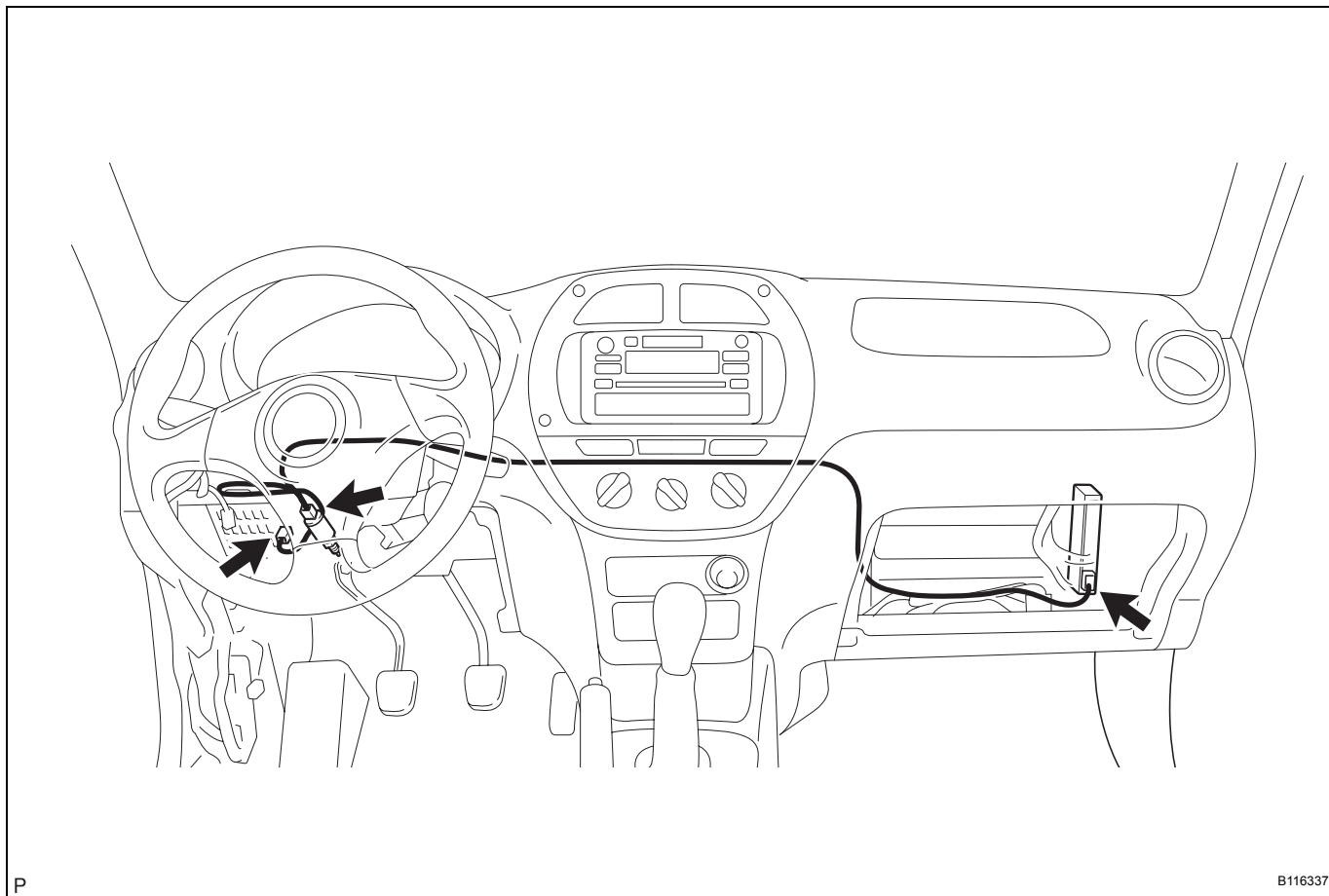


## 10. SET INSTRUMENT PANEL NO. 3 WIRE TO INSTRUMENT PANEL

- (a) Set a repair wire to the instrument panel as shown in the illustration.

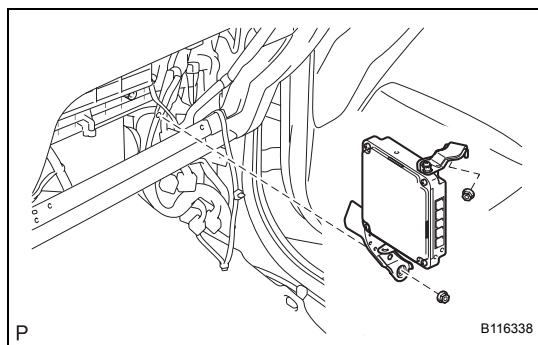
### NOTICE:

**Be careful not to damage the instrument panel No. 3 wire.**

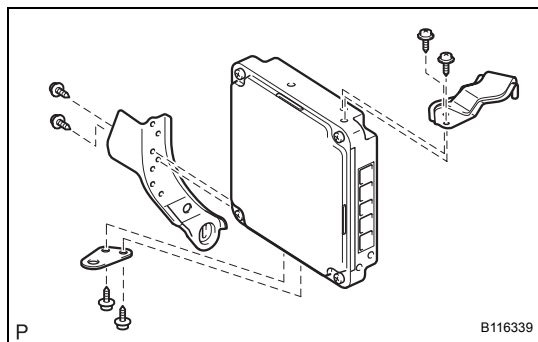


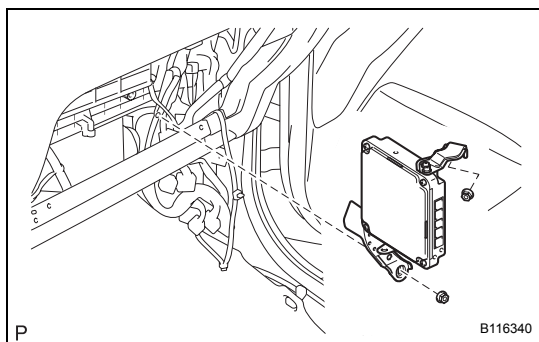
## 11. REPLACE ENGINE ECU

- (a) Disconnect the 4 ECU connectors.
- (b) Remove the 2 nuts and old ECU together with the bracket.

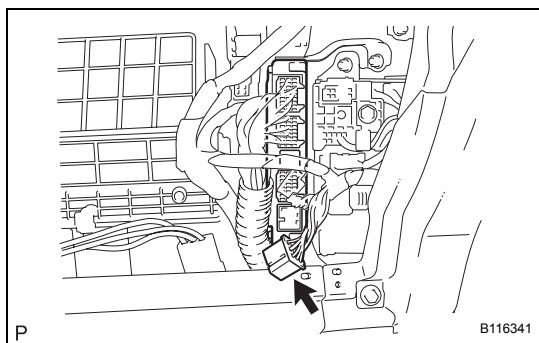


- (c) Remove the 6 screws and 3 brackets from the old ECU.
- (d) Install the 3 brackets to a new ECU with the 6 screws.

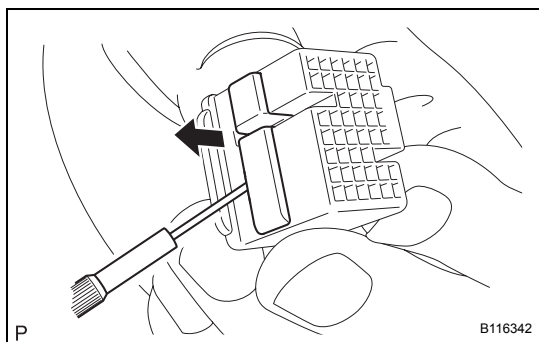




- (e) Install the new ECU to the vehicle and tighten the 2 nuts.

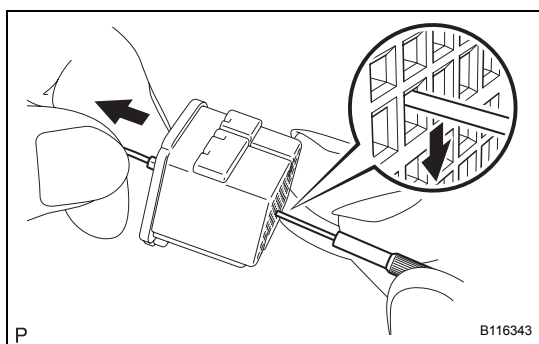


- (f) Connect the 3 highest located connectors to the new ECU.  
HINT:  
The terminal of the instrument panel No. 3 wire should be installed in the lowest located connector (22P) of the ECU.



## 12. INSTALL ECU CONNECTOR

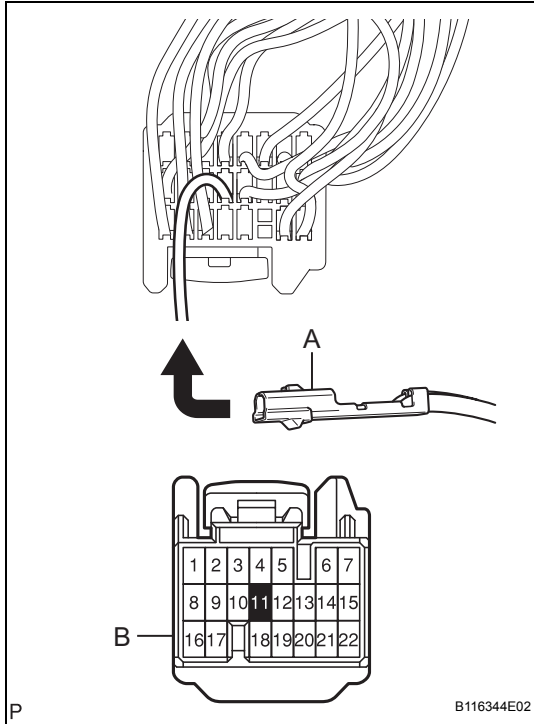
- (a) Remove the terminal from the temporary connector of the instrument panel No. 3 wire  
(1) Lift up the terminal retainer.



- (2) Unlock the locking clip.  
(3) Pull the terminal.

### NOTICE:

**Do not insert the tool into the terminal when unlocking the locking clip.**



- (b) Install the terminal to the lowest located connector (22P).

- (1) Lift up the terminal retainer.
- (2) Install the terminal.
- (3) Lock-down the terminal retainer.

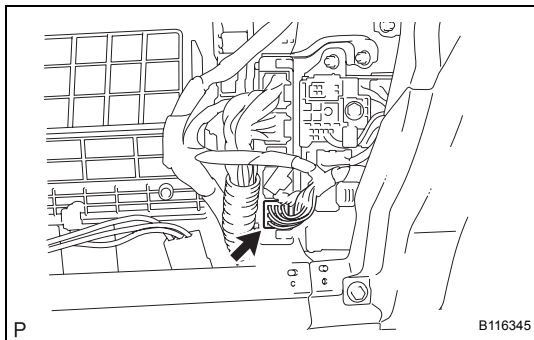
**NOTICE:**

**Be sure to install to the correct position. Be aware that the upper figure on the left the backside of the connector that is positioned upside down. Refer to the front view drawing to avoid wrong installation.**

**HINT:**

A: Please insert No. 11 position.

B: View from the front of the 22P connector.



- (c) Connect the lowest located connector (22P) to a new ECU.

### 13. FASTEN INSTRUMENT PANEL NO. 3 WIRE

- (a) Fasten the wire to the instrument panel with a cable tie or vinyl tape as shown in the illustration.

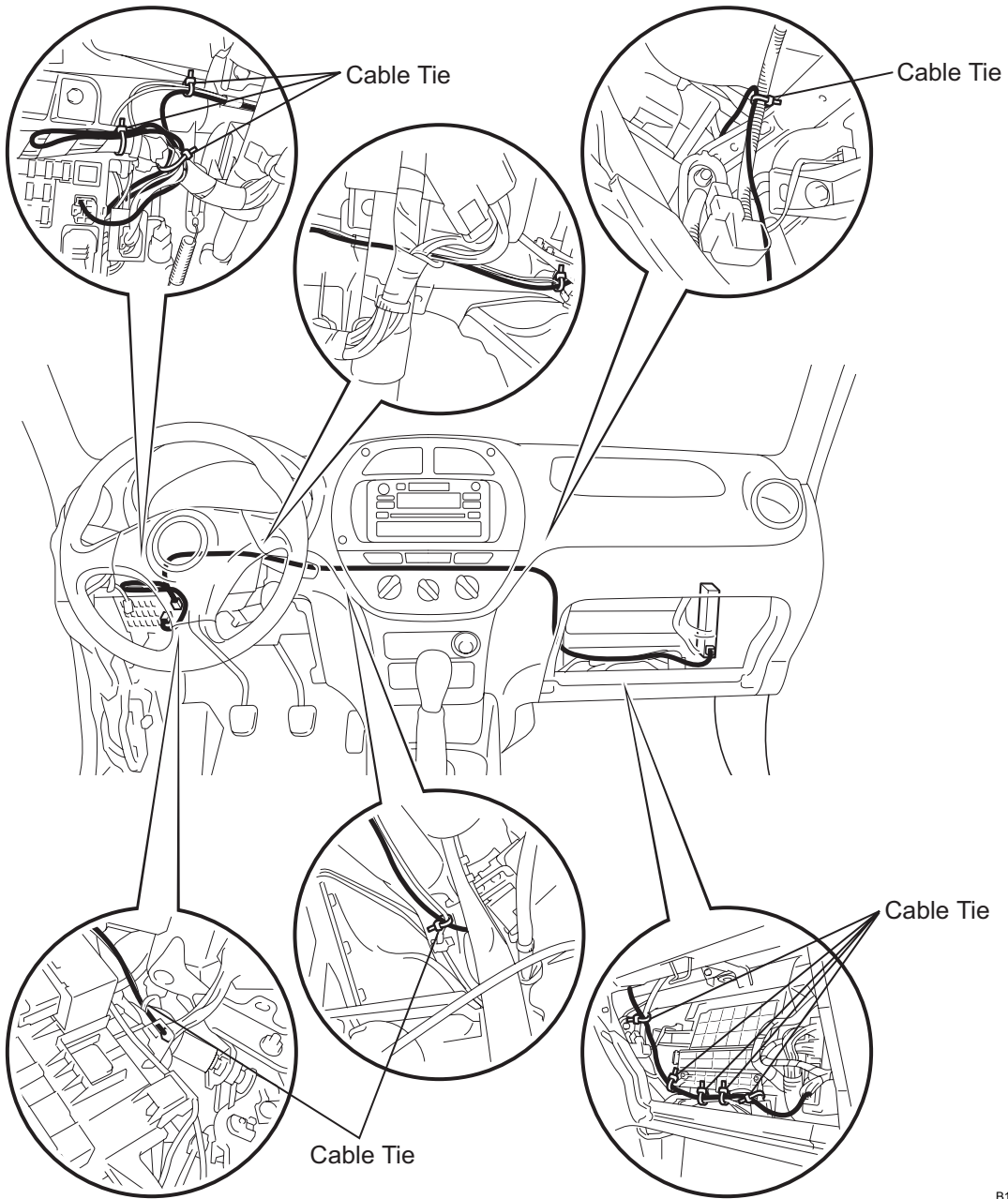
**NOTICE:**

**Be careful not to damage the instrument panel No. 3 wire.**

# Service Bulletin

Ref. No. : CP-5007

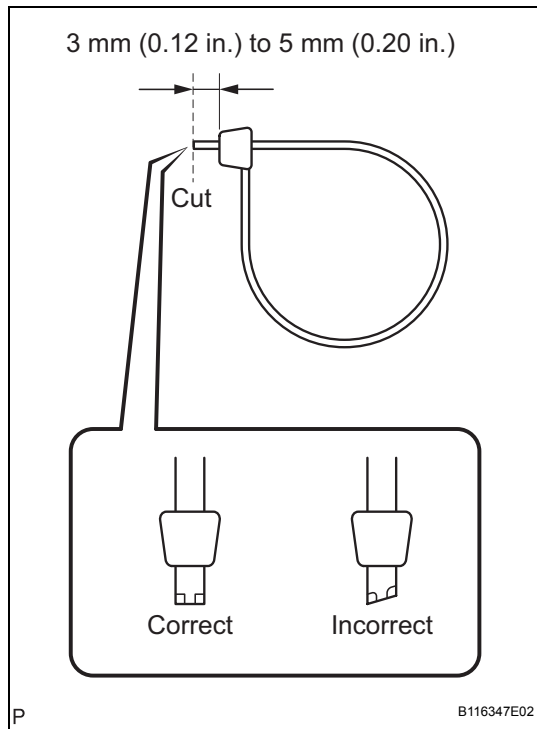
Page : 8 of 9



P

B116346E02





## 14. CUT CABLE TIE

- (a) Cut off the cable tie, as shown in the illustration.

## 15. INSTALL GLOVE COMPARTMENT DOOR

- (a) Install the glove compartment door with the 2 screws.

## 16. INSTALL LOWER INSTRUMENT PANEL

- (a) Connect the connector and install the lower instrument panel with the 3 screws.  
(b) Install the engine hood opener lever.

## 17. INSTALL NO. 1 SWITCH HOLE BASE

## 18. INSTALL COWL SIDE TRIM LH & RH

## 19. INSTALL DOOR SCUFF PLATE LH & RH

## 20. RECONNECT AND TIGHTEN NEGATIVE TERMINAL

### NOTICE:

Reset the radio station for the audio according to the settings before removing the negative terminal.

## 21. PROGRAMMING CAR KEYS

### NOTICE:

Refer to out Toyota Service Bulletin (TSB) "BE-1012" that was issued on 29/06/2003

## 22. CHECK VEHICLE TAKE-OFF ASSIST DEVICE FOR OPERATING SOUND INSIDE VEHICLE

### NOTICE:

When you engage the clutch for vehicle take-off, please do not accelerate the engine too much. Less than 1,300 rpm would be recommended.