



Technical Service BULLETIN

November 2, 2001

Title:

SQUEAK AND RATTLE SERVICE TIPS

Models:

'01 RAV4

REVISED
NVH
NV005-01

TSB Revision Notice:

The warranty information updated in this TSB is red and underlined.

Introduction

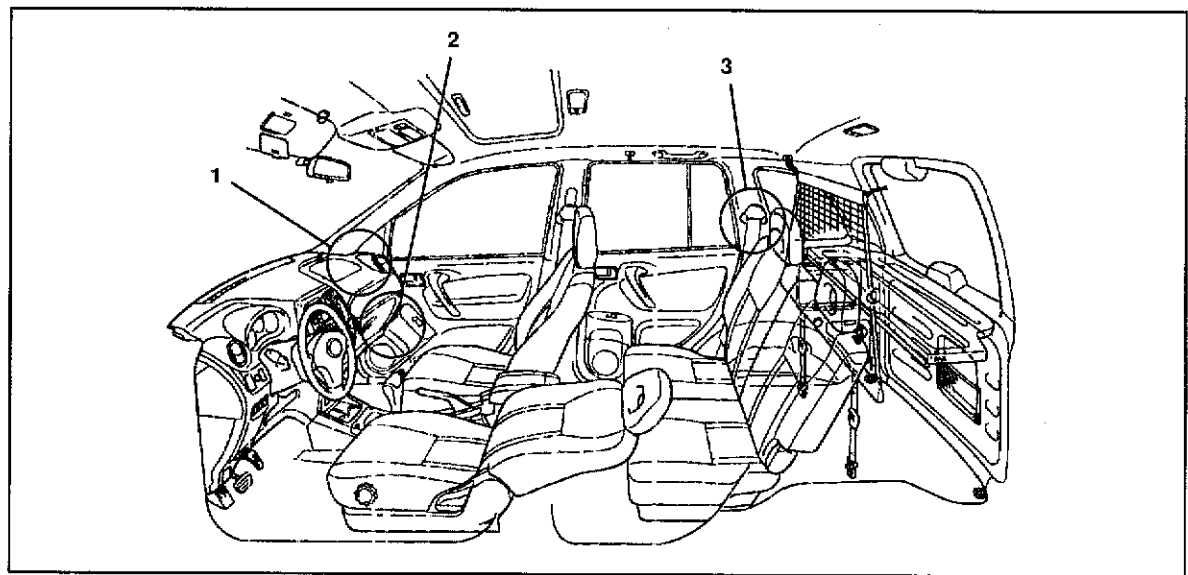
The following procedures have been developed to help reduce noise from the passenger side dash, A-pillar and C-pillar areas.

Applicable Vehicles

- 2001 model year RAV4 vehicles.

Parts Information

PART NUMBER	PART NAME
08231-00801	Noise Kit



Warranty Information

OP CODE	DESCRIPTION	TIME	OPN	T1	T2
743101	R&R Body A-Pillar Garnish (One Side)	0.2	6221#-42030-#0	91	57
<u>Combo Code Z</u>	R&R Body A-Pillar Garnish (Other Side)	0.2			
743111	R&R Back Window Side Garnish (One Side)	0.6	<u>6247#-42010-#0</u>	91	57
<u>Combo Code Z</u>	R&R Back Window Side Garnish (Other Side)	0.6			
550101	R&R Glove Box Sub-Assembly	0.2	55550-42030-#0	91	57

Applicable Warranty*:

This repair is covered under the Toyota Comprehensive Warranty. This warranty is in effect for 36 months or 36,000 miles, whichever occurs first, from the vehicle's in-service date.

* Warranty application is limited to correction of a problem based upon a customer's specific complaint.

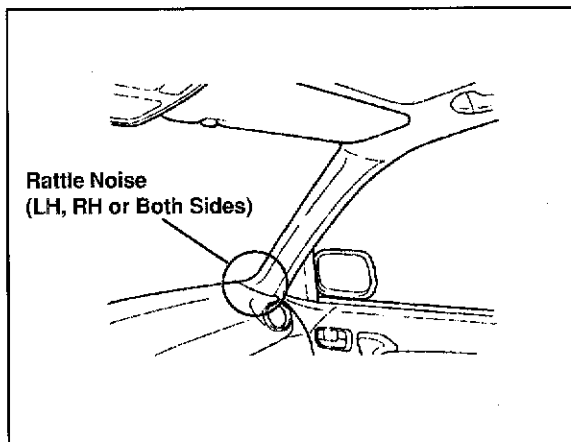


Toyota Supports ASE Certification

056052

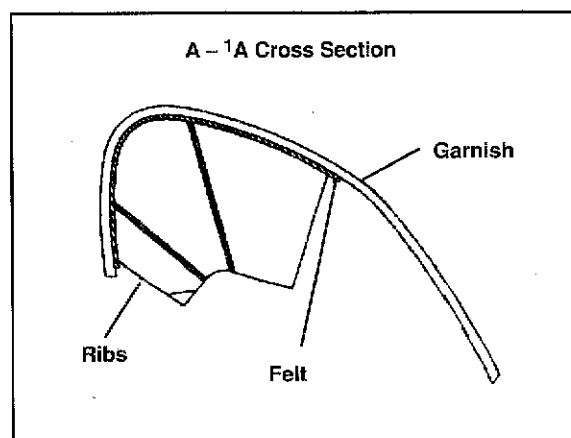
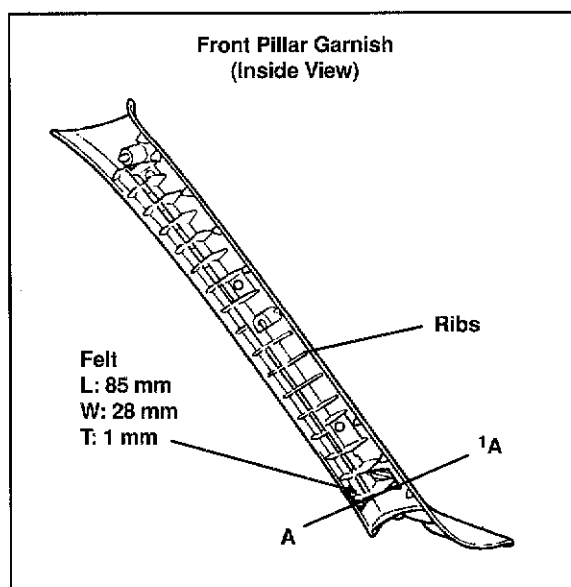
Repair Procedure **Rattle at A-Pillar**

1. Using a screwdriver or nylon pry-tool, remove the front pillar garnish. (If using a screwdriver, cover the tip with tape before prying on garnish.)



2. Fit a felt piece between the A-pillar garnish and plastic ribs (lowest part) in the location shown.

Cut 1 mm thick felt sheet to 85 x 28 mm.

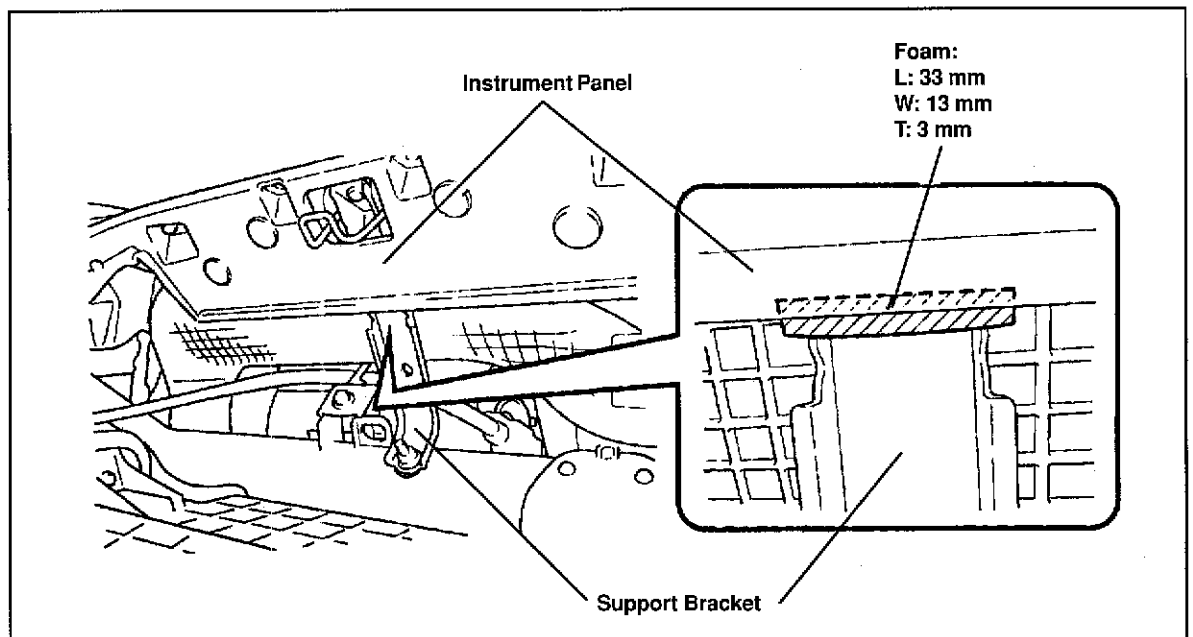
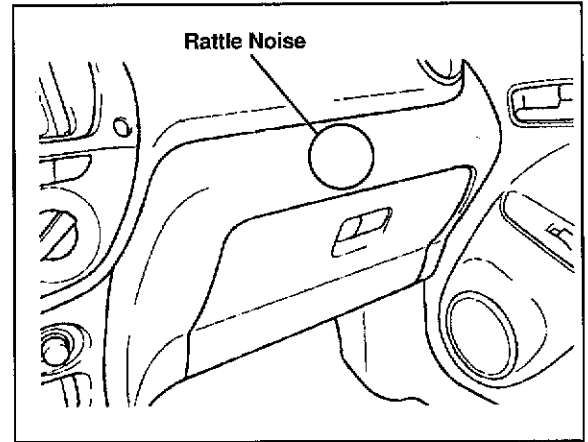


Repair Procedure
(Continued)

Rattle or Squeak at Glove Box

1. Remove the glove box.
2. Fit a piece of foam between the I/P and the support bracket for the glove box striker as shown.

Cut 3 mm thick foam to 33 x 13 mm.



Repair Procedure
(Continued)

Rattle at C-Pillar

1. Remove the roof side inner garnish as explained on page BO-99 of the 2001 RAV4 Repair Manual.
2. Fit two pieces of felt between the roof-side inner garnish and plastic ribs as shown below.

Cut 1 mm thick felt sheet to 145 x 50 mm.

HINT:

- Fit a piece of felt parallel to the horizontal ribs so that the upper end of the felt contacts to the bottom of the clip base.
- Fit another piece of felt parallel to the horizontal ribs so that the lower second and third ribs are covered with the felt piece.

