



**Technical Service
BULLETIN**

June 6, 2007

Title:

**INOPERATIVE FRONT DOOR LOCK IN
COLD AMBIENT TEMPERATURES**

Models:

'06 – '07 RAV4

**BODY
B0006-07**

Introduction Some RAV4 customers may experience inoperative front door locks after a cold soak during cold weather when using the keys, Remote Keyless Entry (RKE), or door handle. To address this concern, new door lock cables are now available. Use the following repair procedure to install the replacement cables.

- Applicable Vehicles**
- **2006 – 2007** model year **RAV4** vehicles produced **BEFORE** the Production Change Effective VINs shown below.

**Production
Change
Information**

MODEL	PLANT	PRODUCTION CHANGE EFFECTIVE VIN*
RAV4	Tahara (11th digit = 5)	JTMZD3#V#7 <u>5</u> 100994
		JTMZK3#V#7 <u>5</u> 063991
		JTMBD3#V#7 <u>5</u> 031303
		JTMBK3#V#7 <u>5</u> 012729
	Toyota Industries (11th digit = 6)	JTMZD3#V#7 <u>6</u> 043277
		JTMZK3#V#7 <u>6</u> 007664
		JTMBD3#V#7 <u>6</u> 044443
		JTMBK3#V#7 <u>6</u> 021678

* Underlined number in VIN (11th digit) represents assembly plant line code.

**Parts
Information**

PREVIOUS PART NUMBER	CURRENT PART NUMBER	PART NAME	QTY
69750-42030	69750-42031	Cable Assembly, FR Door Inside Locking	1

**Warranty
Information**

OP CODE	DESCRIPTION	TIME	OFF	T1	T2
BD7030	Front Door Control Link (1 – 4PCS) and/or Snap (One Side)	0.6	69750-42030	9A	83
Combo A	Opposite Side	0.5			

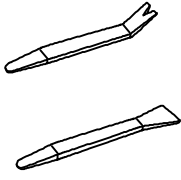
Applicable Warranty*:

This repair is covered under the Toyota Comprehensive Warranty. This warranty is in effect for 36 months or 36,000 miles, whichever occurs first, from the vehicle's in-service date.

* Warranty application is limited to correction of a problem based upon a customer's specific complaint.



Required SSTs

SPECIAL SERVICE TOOLS (SSTs)		PART NUMBER	QTY	DRW**
Plastic Pry Tool Set*		00002-06000-01	1	21
COMPONENT(S) OF KIT/SET	NOTE:			
	<ul style="list-style-type: none"> All components from this kit/set are required. 			
	<ul style="list-style-type: none"> Plastic Panel Clip Removal Tool (P/N 00002-06001-01) Plastic Emblem Removal Tool (P/N 00002-06002-01) 			

* Essential SSTs.

** Refers to drawer number in SST Storage System.

NOTE:
Additional SSTs may be ordered by calling SPX/OTC at 1-800-933-8335.

Required Tools & Material

TOOLS & MATERIAL	QUANTITY
Hand Tools/Wrenches/Socket/Taped Screwdriver	As Needed
MP Grease	As Needed
Toyota Genuine Adhesive 1324, Three Bond 1324, or equivalent	1

Repair Procedure

Use the following procedure to replace the front door lock.

Refer to the Technical Information System (TIS), 2007 model year RAV4 Repair Manual:

- Vehicle Exterior – Door/Hatch – “Engine Hood / Door: Front Door: Disassembly”
- Vehicle Exterior – Door/Hatch – “Engine Hood / Door: Front Door: Reassembly”

HINT:
The procedure is the same for BOTH the LH and RH sides.

Removal:

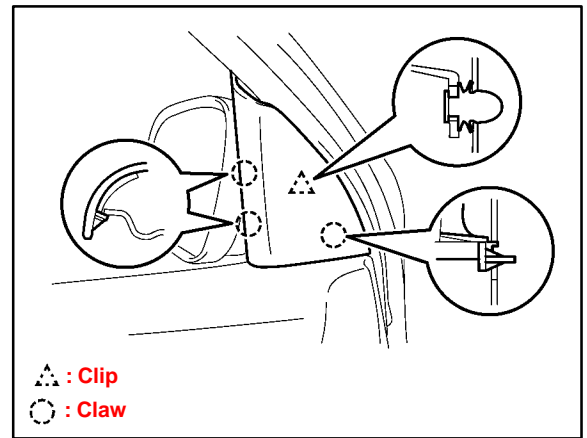
1. Disconnect the cable from the negative (-) battery terminal.

CAUTION:
Wait AT LEAST 90 seconds after disconnecting the cable from the negative (-) battery terminal to prevent airbag and seat belt pretensioner activation.

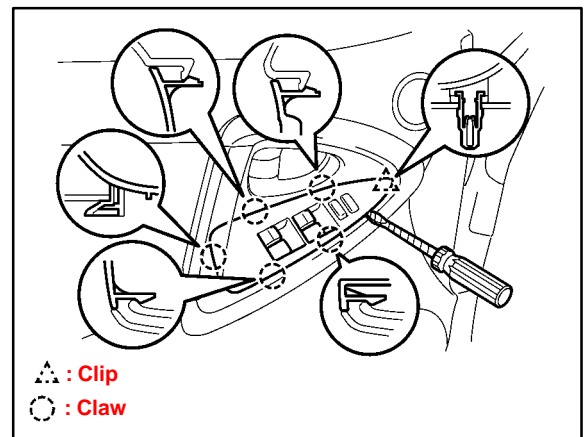
NOTE:
If using a screwdriver to detach clips and claws in steps 2 – 7, tape the screwdriver tip before use.

Repair Procedure
(Continued)

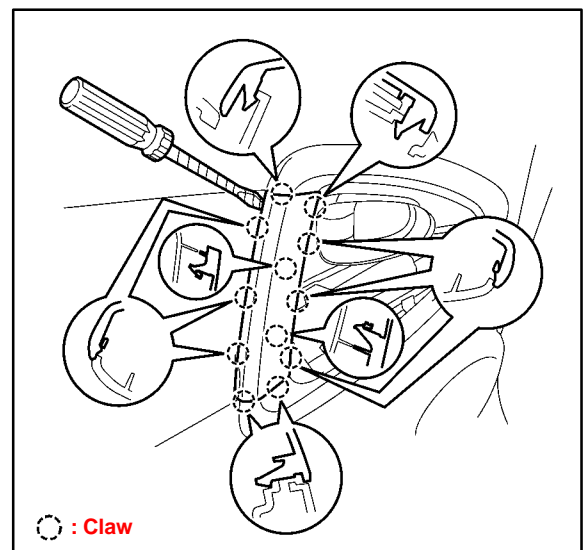
2. Remove the front door lower frame bracket garnish.
Using a screwdriver or pry tool, detach the clip and 3 claws, and remove the garnish.



3. Remove the front armrest base upper panel.
 - A. Using a screwdriver, detach the clip and 5 claws, and remove the panel (with the switch).
 - B. Disconnect the switch connectors.

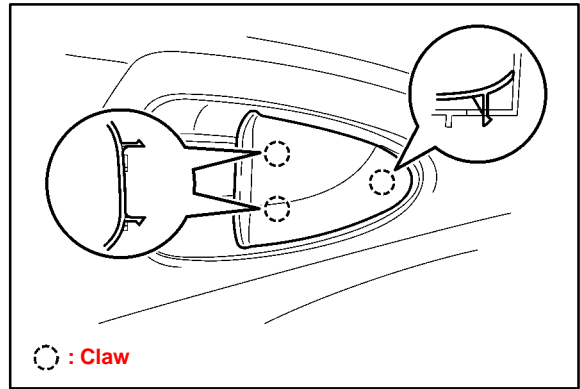


4. Remove the front door trim board sub-assembly.
 - A. Using a screwdriver, detach the 12 claws and remove the door assist grip.

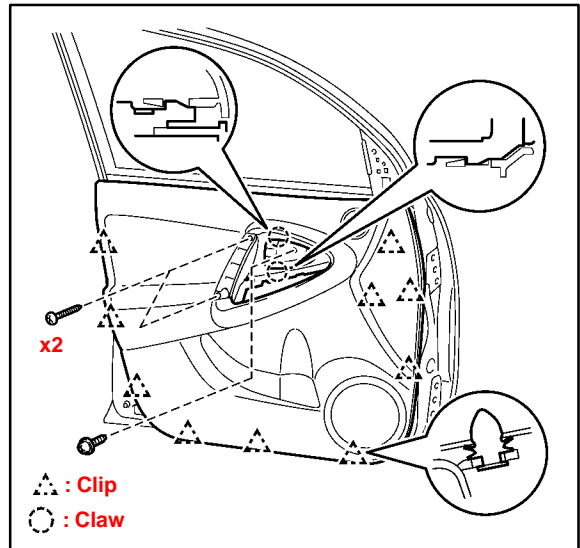


Repair Procedure
(Continued)

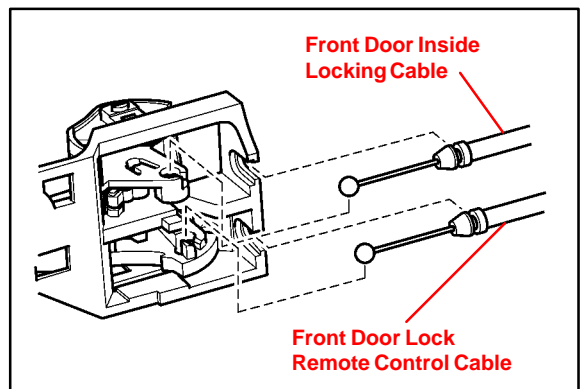
- B. Using a screwdriver or pry tool, detach the 3 claws and remove the door inside handle plug.



- C. Remove the 3 screws (2 screws for the door assist grip and 1 screw for the inside door handle as shown in the illustration).
- D. Using a screwdriver or trim tool, detach the 10 clips and 2 claws, and remove the trim.
If the screwdriver CANNOT reach the clips, pull on the lower trim to remove it.



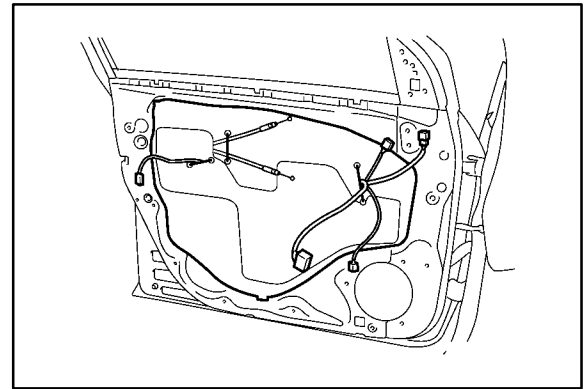
- 5. Remove the front door inside handle sub-assembly by disconnecting the 2 cables from the inside handle and removing the inside handle.



Repair Procedure
(Continued)

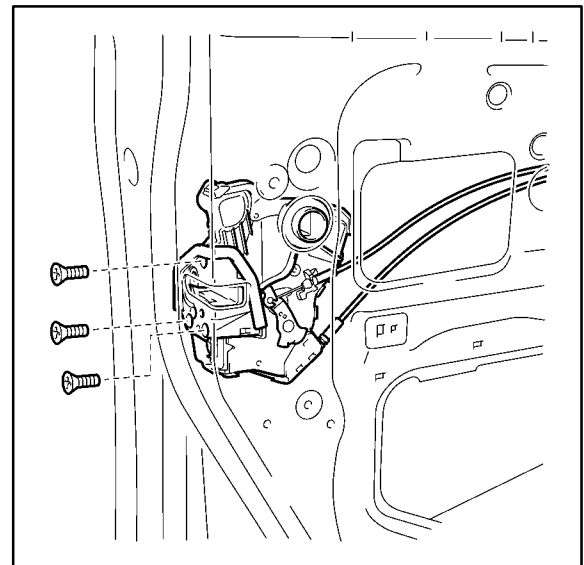
6. Remove the front door service hole cover by disconnecting each connector.

NOTE:
Remove the remaining tape on the door.



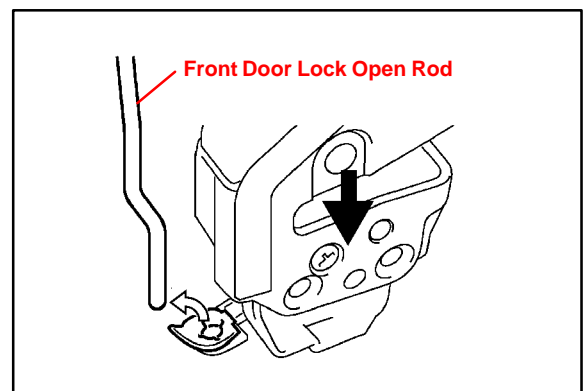
7. Remove the front door lock assembly.
 - A. Disconnect the connector.
 - B. Using a T30 Torx socket, remove the 3 screws.

NOTE:
Be careful when removing the bolts as the door lock may fall and become damaged.



- C. Slide the door lock downward to disconnect the front door lock open rod from the door lock, and then remove the door lock (with cable).

HINT:
Remove the door lock through the service hole.

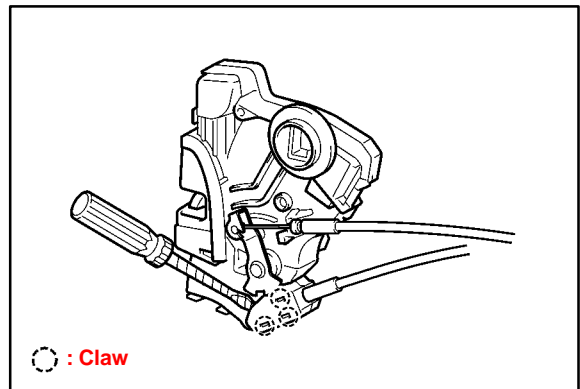


Repair Procedure
(Continued)

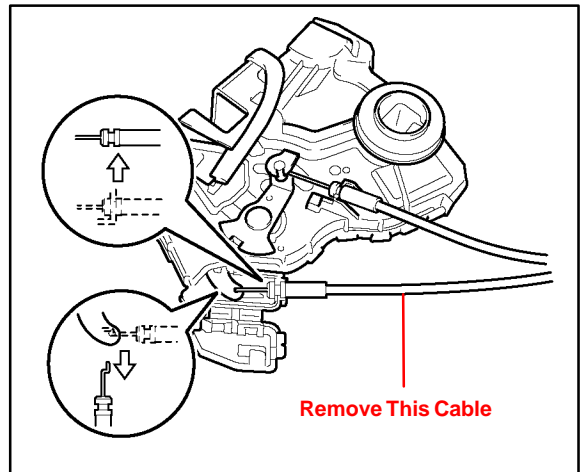
- D. Using a screwdriver, detach the 3 claws and open the cover.

HINT:
The claws can also be released by accessing them from the back side of the cover.

IMPORTANT:
If the cover is broken or damaged when opening, replace the door lock assembly.

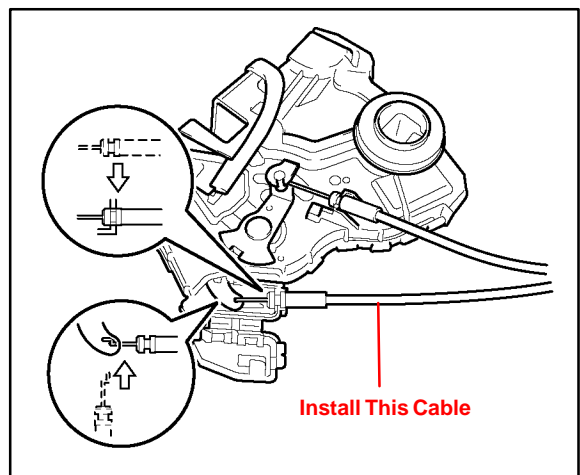


- E. Remove the door lock cable as shown in the illustration.



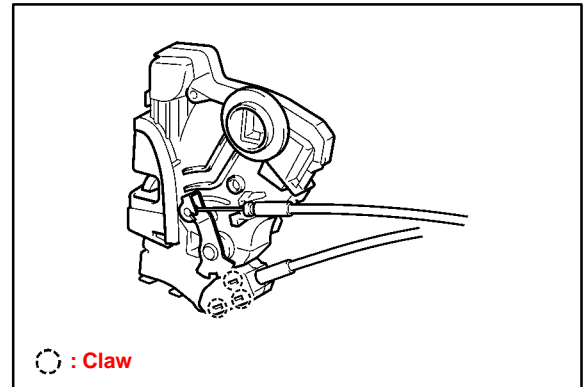
Installation:

1. Install the front door lock assembly.
 - A. Apply MP grease to the sliding and rotating areas of the front door lock.
 - B. Install the NEW cable as shown in the illustration.



Repair Procedure
(Continued)

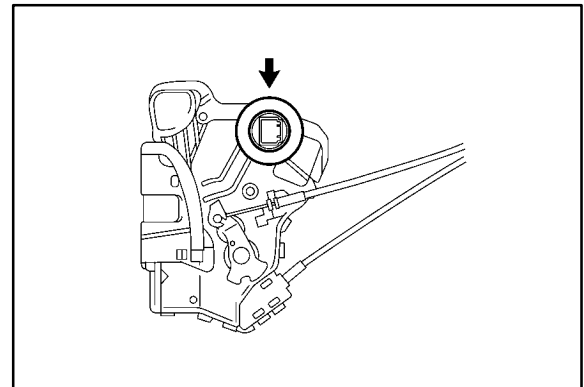
- C. Attach the 3 claws to close the cover.



- D. Ensure the door lock wire harness foam packing is properly seated.

NOTE:

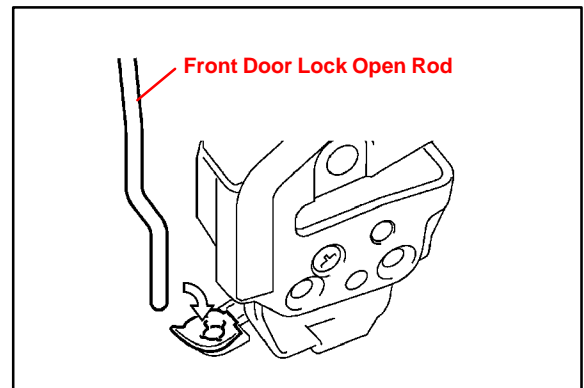
- Old or damaged packing **CANNOT** effectively protect against water, which can damage the door lock.
- Do **NOT** allow grease or dirt to contaminate the gap between the door panel and packing.



- E. Connect the control rod to the door lock, and then set it to the door panel.

NOTE:

Make sure that the rod is securely engaged to the lock.



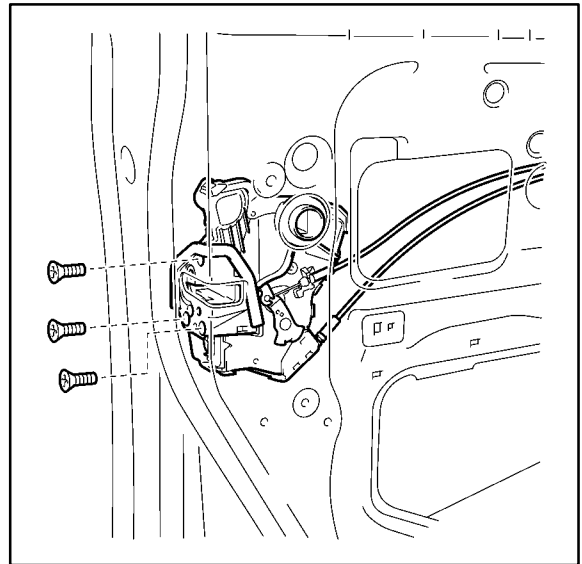
- F. Apply adhesive to the threads of the 3 screws.

Adhesive:

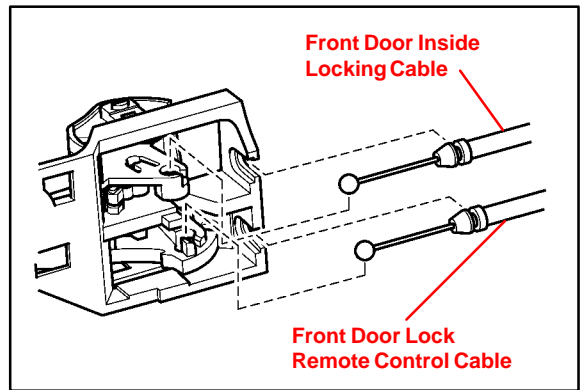
**Toyota Genuine Adhesive
1324, Three Bond 1324,
or equivalent**

Repair Procedure
(Continued)

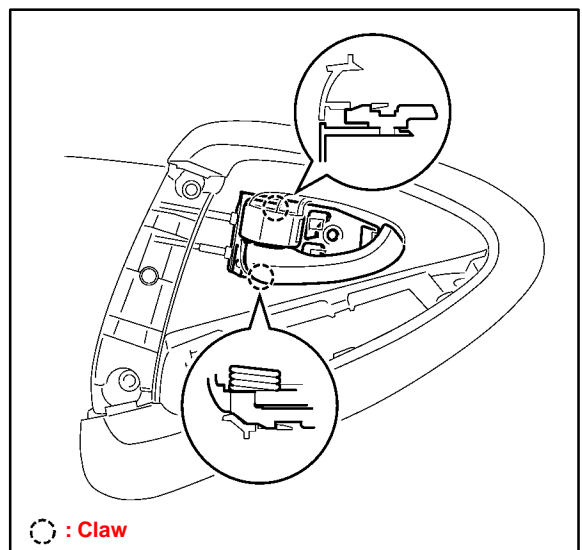
- G. Using a T30 Torx socket, install the door lock with the 3 screws.
Torque: 5.0 N•m (51 kgf•cm, 44 in.•lbf)
- H. Connect the connector.



- 2. Install the front door inside handle sub-assembly by connecting the 2 cables to the inside handle.
- 3. Install the front door trim board sub-assembly.
 - A. Attach the 4 claws to install the speaker door grille.
 - B. Attach the 7 claws to install the weatherstrip inner.

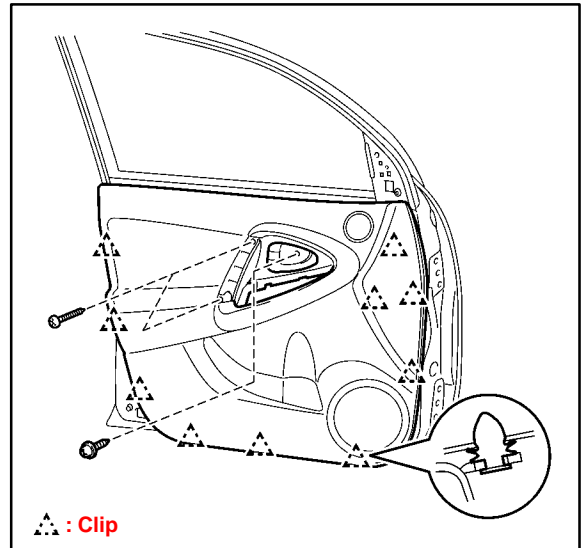


- C. Attach the 2 claws to install the inside handle.

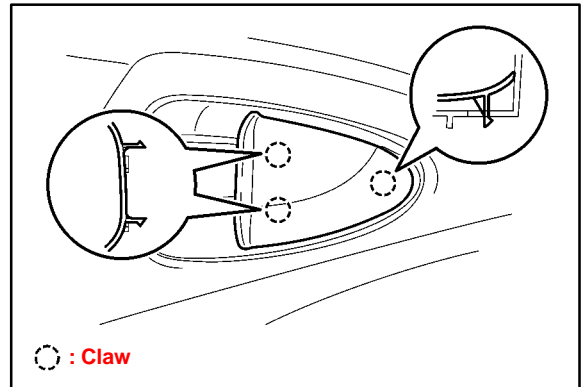


Repair Procedure
(Continued)

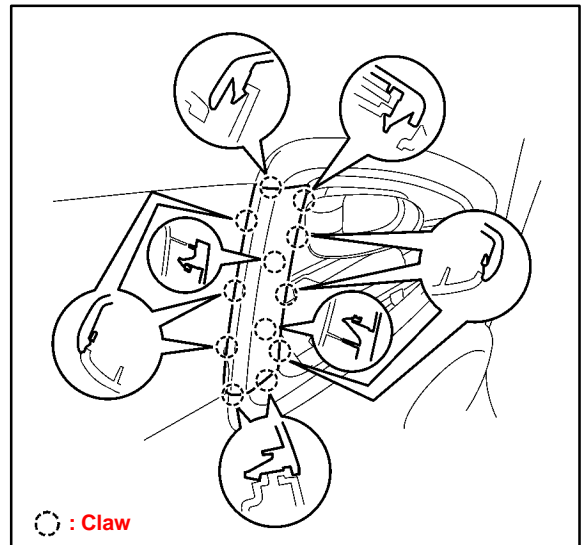
- D. Attach the 10 clips to install the trim board.
- E. Install the 3 screws.



- F. Attach the 3 claws to install the door inside handle bezel plug.

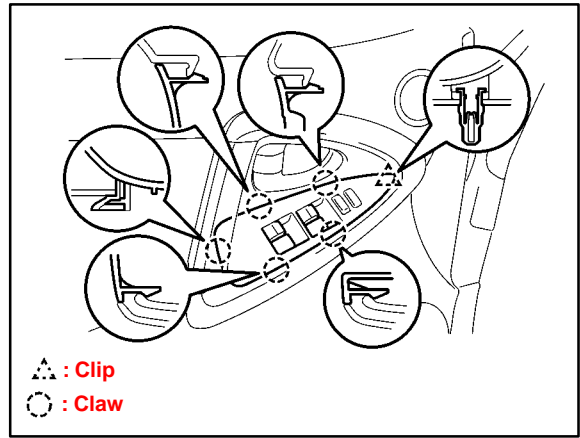


- G. Attach the 12 claws to install the door assist grip.



Repair Procedure
(Continued)

H. Attach the clip and 5 claws to install the panel (with the switch).



4. Install the front door lower frame bracket garnish by attaching the clip and 3 claws.
5. Connect the cable to the negative (-) battery terminal.
6. Test and confirm proper operation.
7. Re-initialize any affected power systems.

Refer to the following TSBs:

- 2006 model year RAV4 — TSB No. PD014-06, “Power System Initialization During PDS”
- 2007 model year RAV4 — TSB No. PD010-07, “Power System Initialization During PDS”

